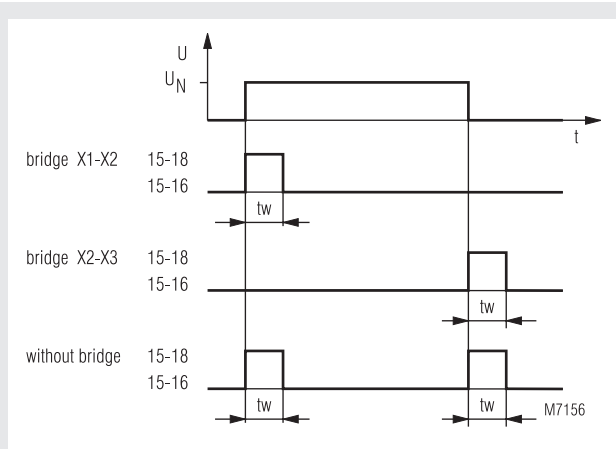


## MINITIMER Fleeting Action Timer MK 9988



- According to IEC/EN 61 812-1
- Programmable: fleeting on make, fleeting on break, fleeting on make and brake
- Fleeting time 0.3 ... 0.6 s fixed
- Repeat accuracy  $< \pm 5 \%$
- LED indication for supply and contact position
- 2-wire-proximity sensor control
- Available with 1 or 2 changeover contacts
- Width 22.5 mm

### Function Diagram



### Approvals and Marking



### Applications

Time-dependent circuits

### Indicators

LED: on, when supply connected

### Technical Data

#### Time circuit

<b>Fleeting time:</b>	0.3 ... 0.6 s fixed
<b>Repeat accuracy:</b>	$< \pm 5 \%$
<b>Min. switch-off time:</b>	1 s
<b>Voltage influence:</b>	- 5 % / + 10 %
<b>Temperature influence:</b>	$\pm 0.25 \%$ / K

### Input

<b>Nominal voltage <math>U_N</math>:</b>	AC 110, 127, 220 ... 240 V AC/DC 24, 42, 48 V
<b>Voltage range:</b>	0.8 ... 1.1 $U_N$
<b>Nominal power consumption:</b>	8 VA / AC 230 V
<b>Nominal frequency:</b>	50 / 60 Hz
<b>Permissible residual current:</b>	$\leq 5$ mA

### Output

<b>Contacts:</b>	
MK 9988.51:	1 fleeting (changeover contact) programmable
MK 9988.52:	2 fleeting (changeover contacts) programmable
	5 A

#### Thermal current $I_{th}$ : Switching capacity

to AC 15:		
NO contact:	3 A / AC 230 V	IEC/EN 60 947-5-1
NC contact:	1 A / AC 230 V	IEC/EN 60 947-5-1

#### Electrical life

to AC 15 at 3 A, AC 230 V: 5 x 10<sup>5</sup> switching cycles

#### Permissible switching frequency:

3 000 switching cycles / h

#### Short-circuit strength

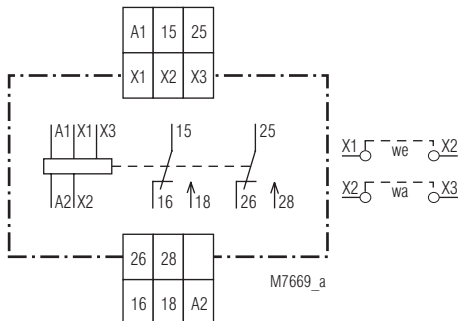
#### max. fuse rating:

6 A gL IEC/EN 60 947-5-1

#### Mechanical life:

20 x 10<sup>6</sup> switching cycles

### Circuit Diagram



MK 9988.52

## Technical Data

### General Data

<b>Operating mode:</b>	Continuous operation	
<b>Temperature range:</b>	- 20 ... + 60 °C	
<b>Clearance and creepage distances</b>		
rated impuls voltage / pollution degree:	4 kV / 2	IEC 60 664-1
<b>EMC</b>		
Electrostatic discharge:	8 kV (air)	IEC/EN 61 000-4-2
HF irradiation:	10 V/m	IEC/EN 61 000-4-3
Fast transients:	4 kV	IEC/EN 61 000-4-4
Surge voltages between wires for power supply:	2 kV	IEC/EN 61 000-4-5
between wire and ground:	4 kV	IEC/EN 61 000-4-5
HF-wire guided:	10 V	IEC/EN 61 000-4-6
Interference suppression:	Limit value class B	EN 55 011
<b>Degree of protection</b>		
Housing:	IP 40	IEC/EN 60 529
Terminals:	IP 20	IEC/EN 60 529
<b>Housing:</b>	Thermoplastic with V0 behaviour according to UL Subj. 94	
<b>Vibration resistance:</b>	Amplitude 0.35 mm frequency 10 ... 55 Hz IEC/EN 60 068-2-6	
<b>Climate resistance:</b>	20 / 060 / 04 IEC/EN 60 068-1	
<b>Terminal designation:</b>	EN 50 005	
<b>Wire connection:</b>	2 x 1.5 mm <sup>2</sup> solid or stranded wire with sleeve DIN 46 228-1/-2/-3/-4	
<b>Wire fixing:</b>	Flat terminals with self-lifting clamping piece IEC/EN 60 999-1	
<b>Mounting:</b>	DIN rail IEC/EN 60 715	
<b>Weight:</b>	140 g	

### Dimensions

**Width x height x depth:** 22.5 x 82 x 99 mm

### Standard Type

MK 9988.51 AC 220 ... 240 V 50 / 60 Hz	
Article number:	0003532 stock item
• Output:	1 fleeting (changeover contact)
• Nominal voltage $U_N$ :	AC 220 ... 240 V
• Width:	22.5 mm

### Ordering example

MK 9988 .51 AC 230 V 50 / 60 Hz	
_____	Nominal frequency
_____	Nominal voltage
_____	Contacts
_____	Type

### Accessories

ET 4752-143:	Marking plate Article number: 0043203
--------------	--